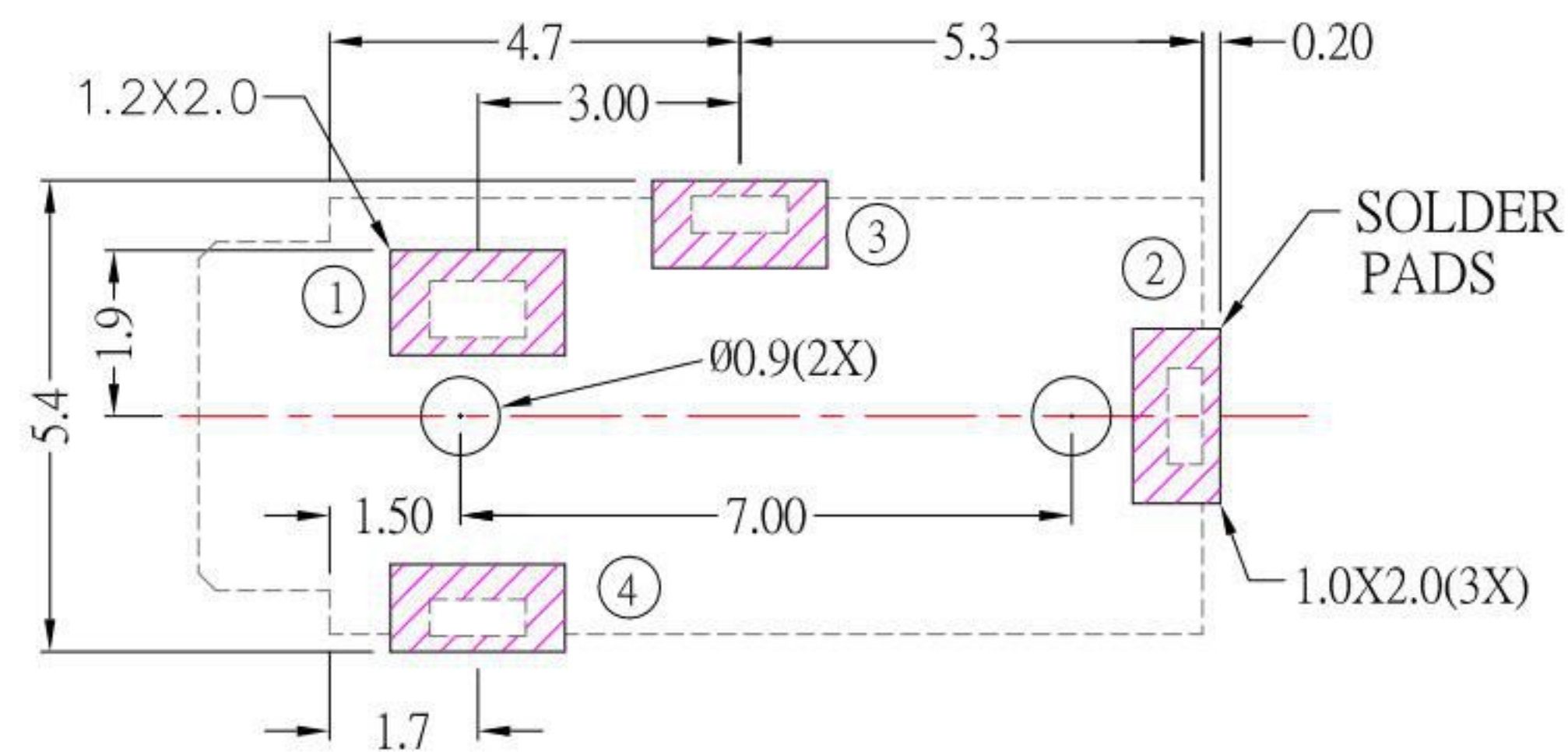
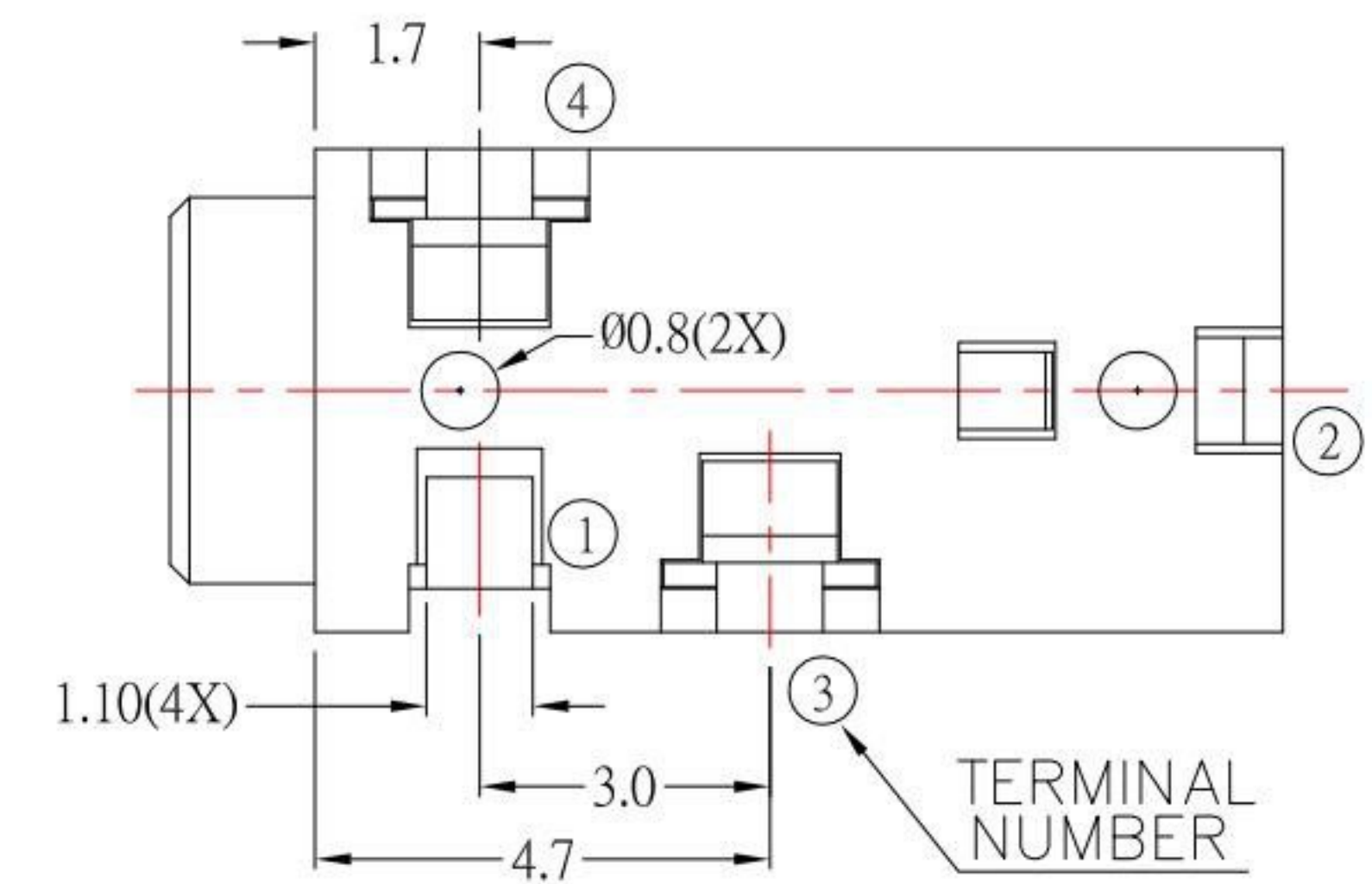


φ2.5 MATE PLUG



RECOMMENDED SOLDER PAD LAYOUT



MODEL NO.	PJ-2784D	PJ-2783D
SCHEMATIC		

SPECIFICATION

1. Rating : DC 12V 1.0A
2. Contact resistance :  $\leq 50m\Omega$
3. Insulation resistance :  $\geq 100M\Omega$
4. Withstand voltage : 500VAC
5. Insertion and extraction force : 3-30N
6. life test : 5,000 cycles

\*MATERIAL

- TERMINAL 1 : PHOSPHOR BRONZE
- TERMINAL 2 : PHOSPHOR BRONZE
- TERMINAL 3 : PHOSPHOR BRONZE
- TERMINAL 4 : PHOSPHOR BRONZE
- HOUSING : PA6T

				<b>科斯达电子科技有限公司</b> SWITCH CONNECTOR 全球 互联零组件制造企业 <b>KSD ELECTRONIC TECHNOLOGY Co., LTD</b>				DRAWN BY: Jack Lu		DATE: 11/04/15		MAT'L		TITLE: JACK	
								CHECKED BY: Jacky Chen		DATE: 11/04/15		FINISH		MODLE: PHONE JACK	
				APPROVED BY: Tony Kao		DATE: 11/04/15		SCALE: 5:1		DWG NO.: PJ-278xD		SIZE: A4			
				TOLERANCE UNLESS OTHERWISE STATED:		3RD. ANGEL'S		UNITS: MM		SHEET NO.: 1 of 1		PART NO.: PJ-278xD			
				Up to 5 ±0.2								VER: R1			
				Above 5 ~ 15 ±0.3											
				Above 15 ~ 30 ±0.4											
				Above 30 ~ 50 ±0.5											
				Angle ±0.3°											
1	新增SPEC	Jack	110415												
ITEM NO.	DESCRIPTION	DRAWN	DATE												